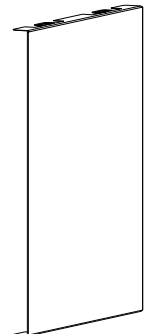
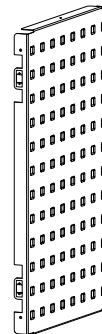
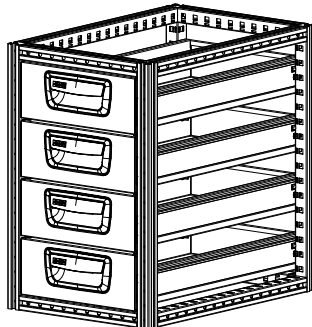
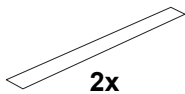
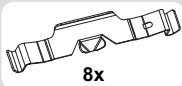
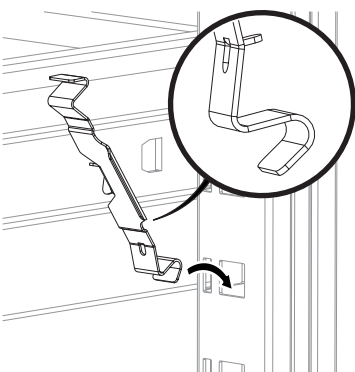


34400-03	1	59185-03	1
56315-03	1	59186-03	1
58411-03	1	09820-03	1
56102-03	1	09840-03	1
55325-03	2	09805-03	1
55340-03	1	09815-03	1
50001-03	4	09825-03	1
10480-03	8	09835-03	4
15340-03	1	09845-03	1
59190-03	1	09879-03	2
57315-03	1	11494-03	1
15325-03	2	11491-03	1

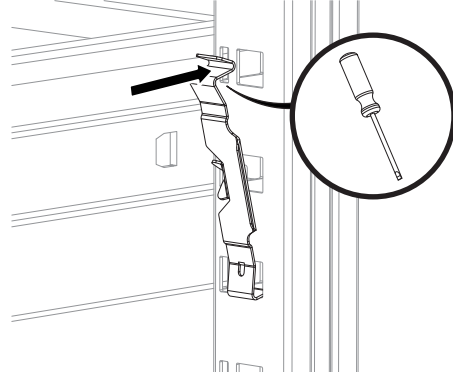
1



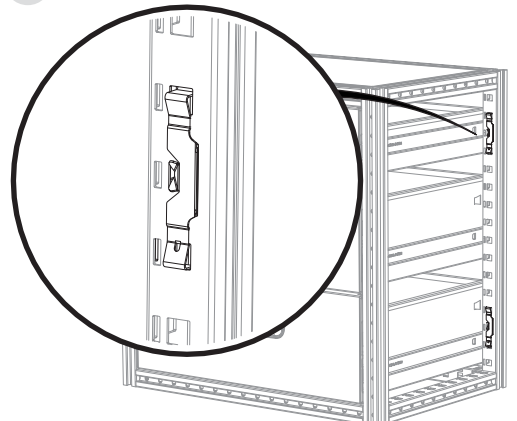
A



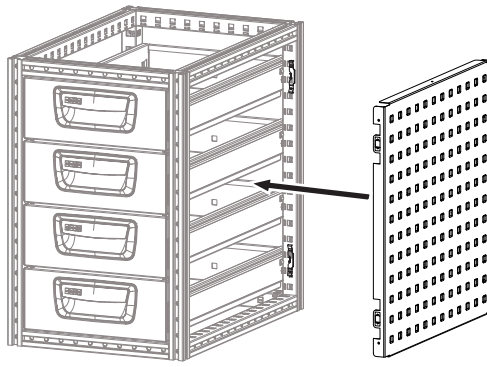
B



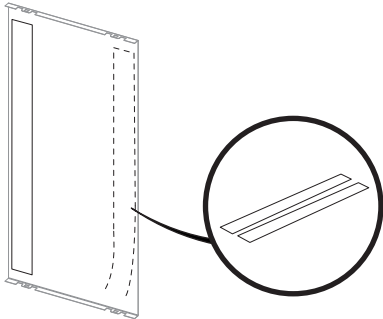
C



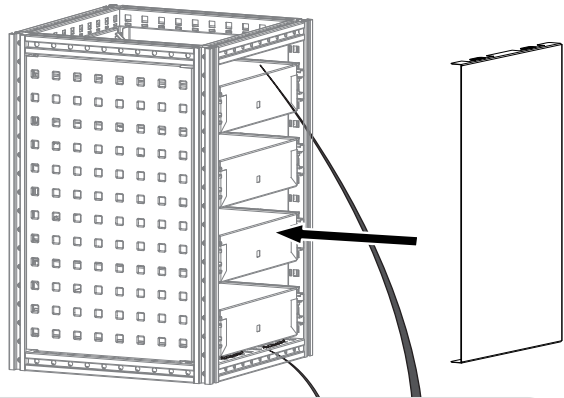
D



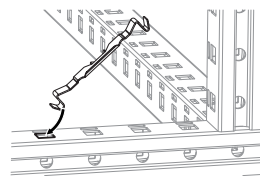
E



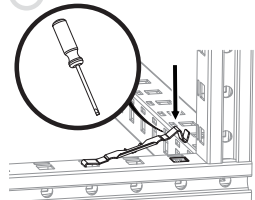
F



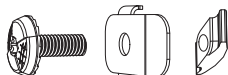
1



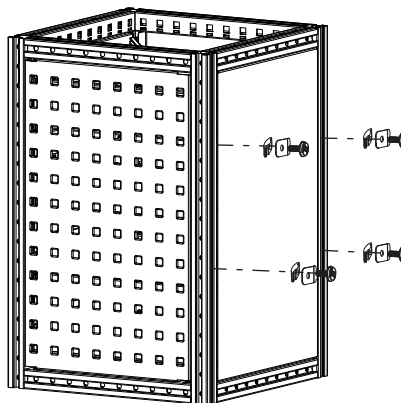
2



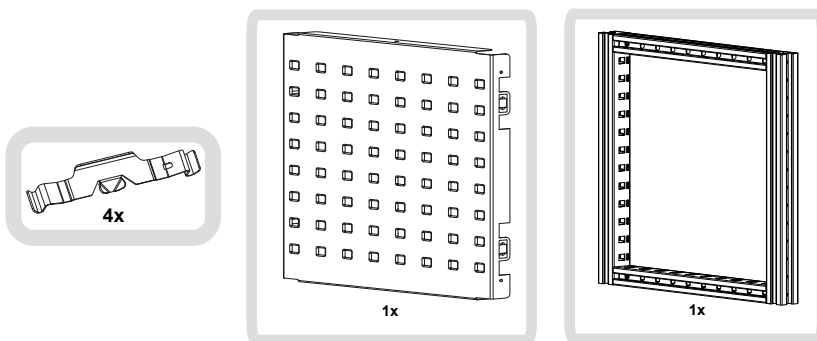
G



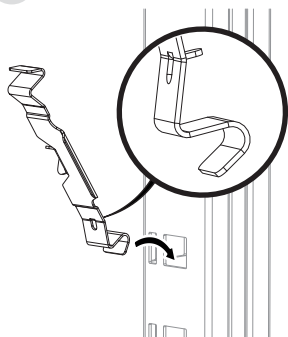
M6 x 16  
x4



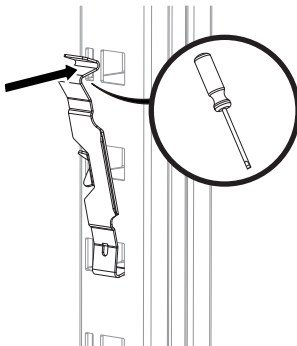
2



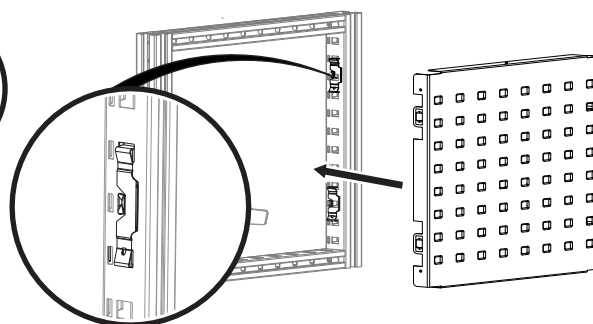
A



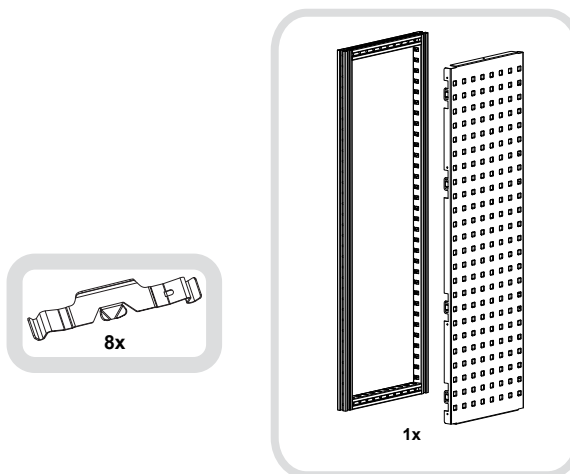
B



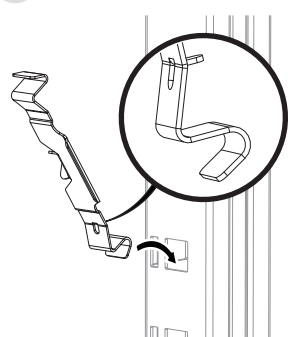
C



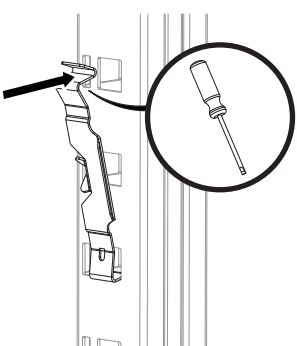
3



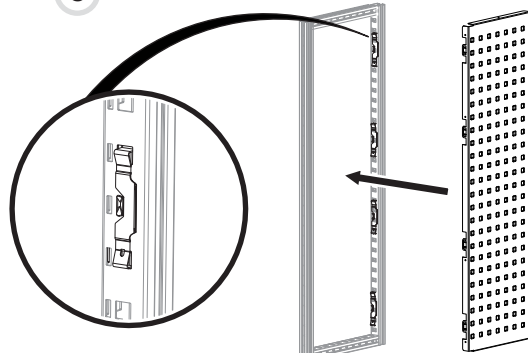
A

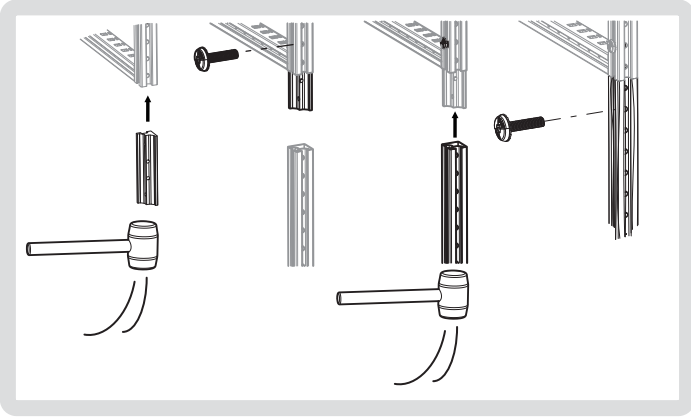
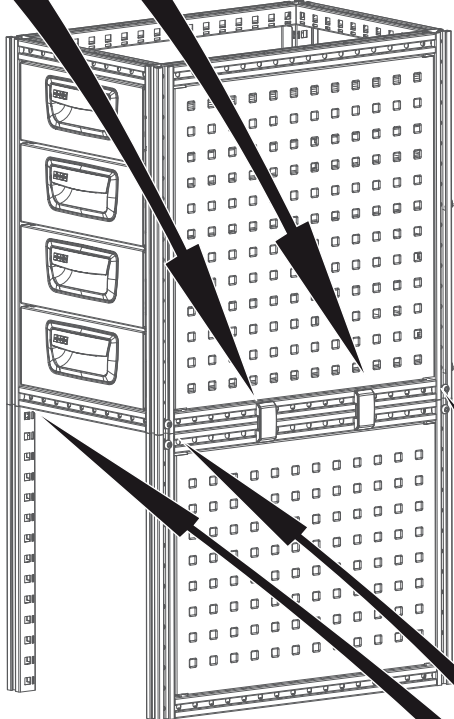
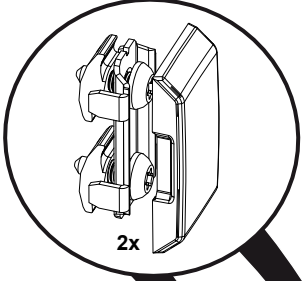
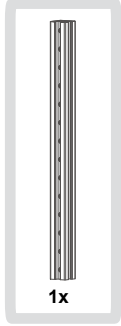
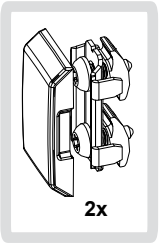
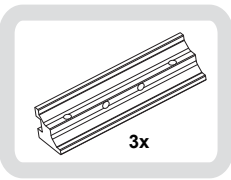
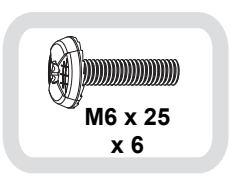


B



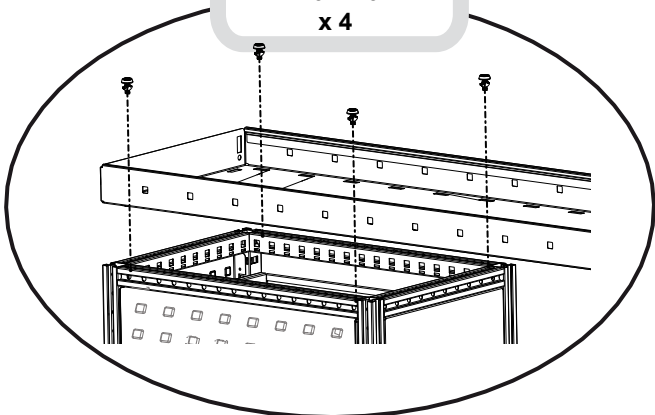
C



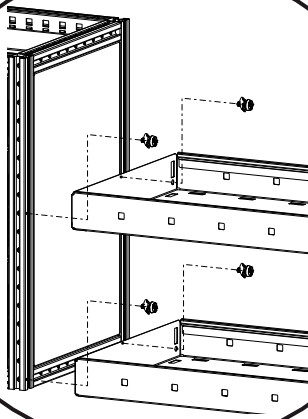
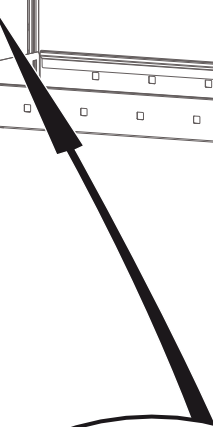
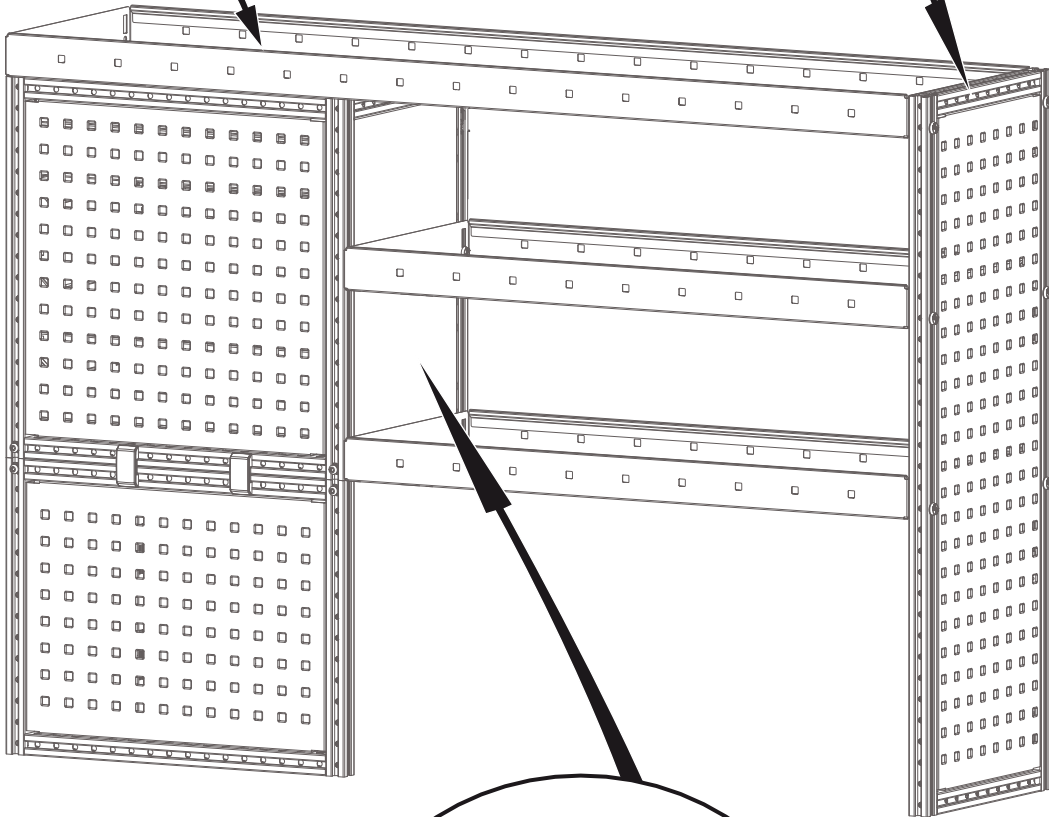
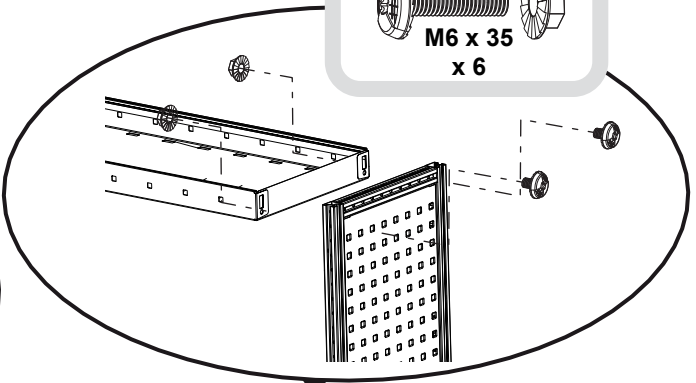




M6 x 16  
x 4

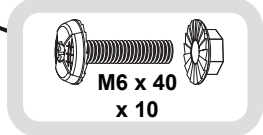
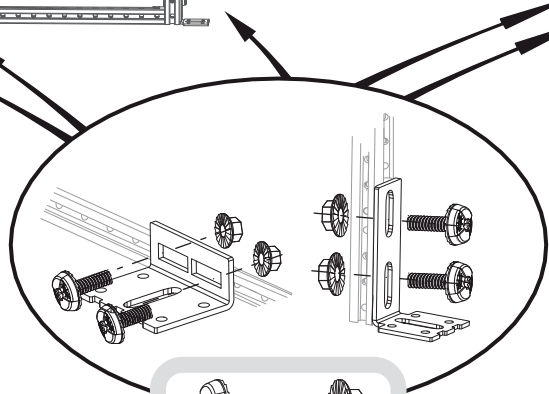
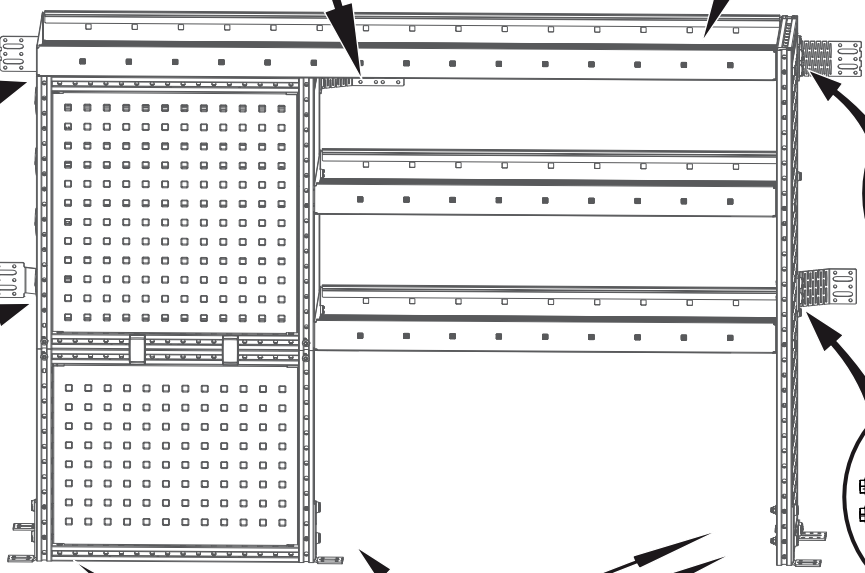
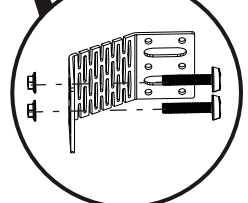
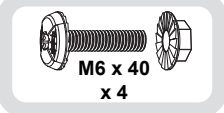
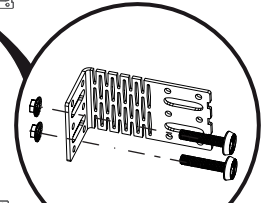
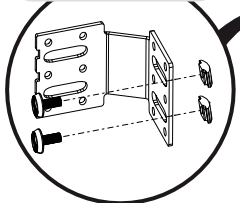
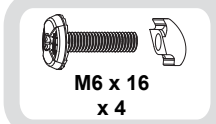
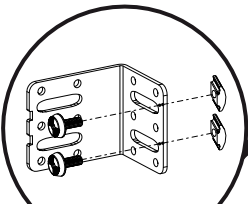
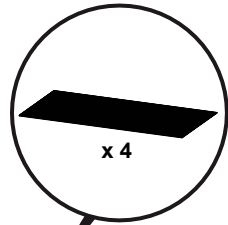
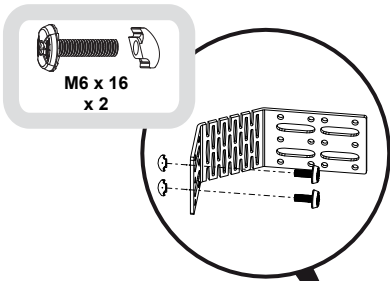
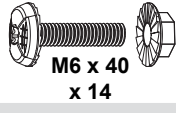
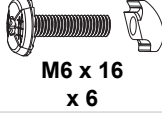
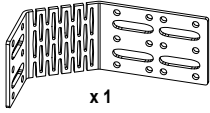
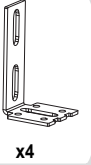
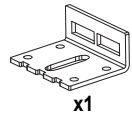
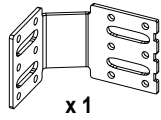
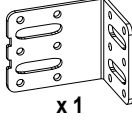
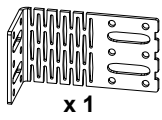
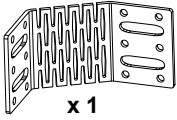


M6 x 35  
x 6

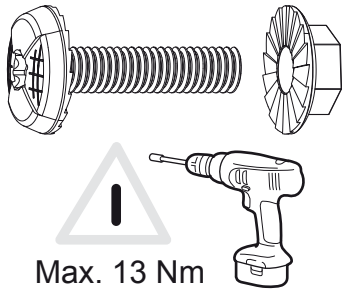


M6 x 16  
x 4

6

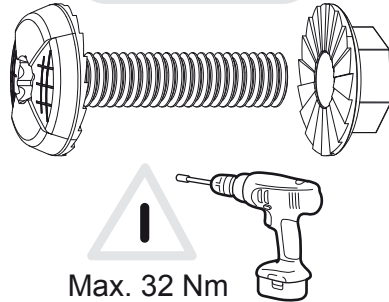


M6



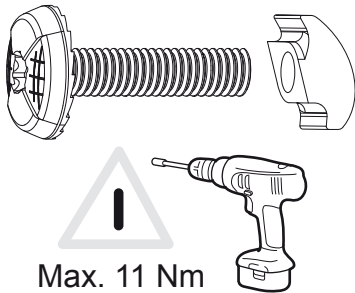
Max. 13 Nm

M8



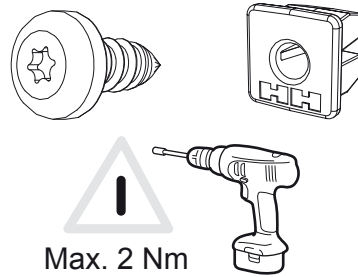
Max. 32 Nm

M6



Max. 11 Nm

5x12

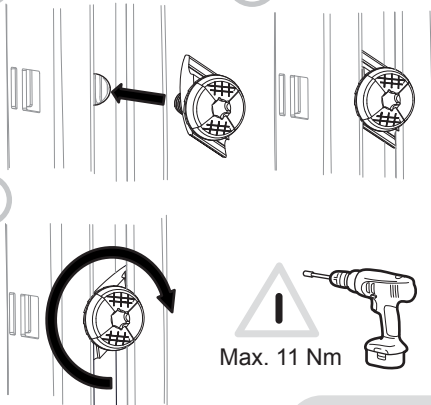


Max. 2 Nm

1

2

3



Max. 11 Nm



Ø 6,5 mm